

Table Top Display X

Innovation
For Results™

___"x___"
 60"x30"
 60"x36"

69"x24"
 69"x30"
 69"x36"

84"x30"
 84"x36"
 84"x48"

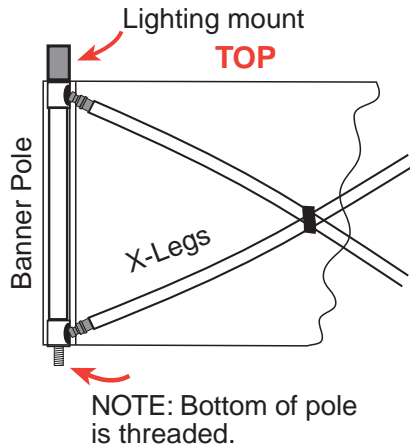


Set-up Instructions

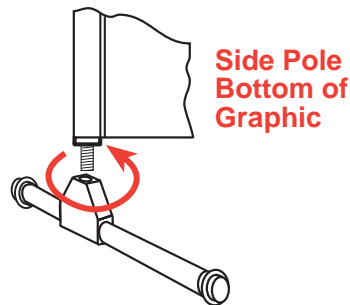
Always wear ANSI approved safety goggles when assembling this product.

- 1 Lay graphic on floor, graphic side down. Insert banner poles into pockets. Extend the X-Legs to straight position. Lay legs on back of graphic as "X".

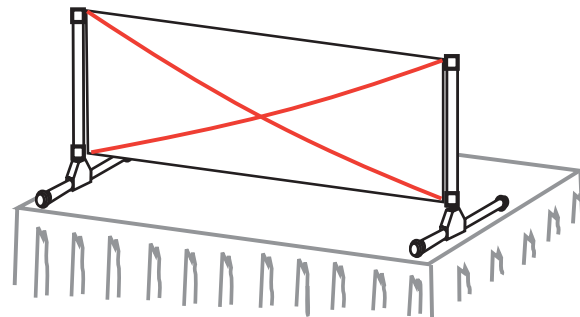
Insert X-Leg end tips into banner pole hubs.



- 2 With graphic resting on floor, screw feet onto bottom of banner pole hubs.



- 3 Position Display on table top.



Xtra Lite Warranty

Our X, S, T, E, P, M and B lines of frames come with a Lifetime Repair and Replace Warranty. If any of these frames break in the ordinary course of use, we will repair or replace the unit for \$10 per frame, plus return shipping. All other frames and accessories come with a One Year Manufacturer's Limited Warranty against defects.

Table Top Display B

Innovation
For Results™

___"x___"
 60"x30"
 60"x36"

69"x24"
 69"x30"
 69"x36"

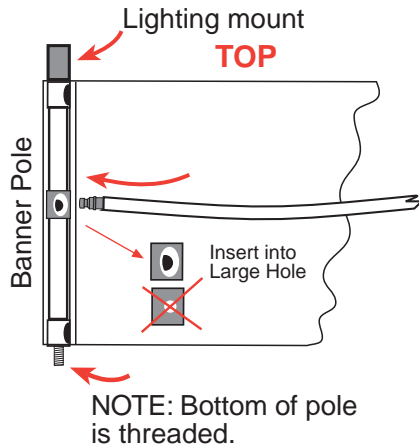
84"x30"
 84"x36"
 84"x48"



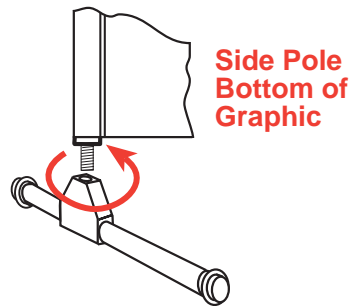
Set-up Instructions

Always wear ANSI approved safety goggles when assembling this product.

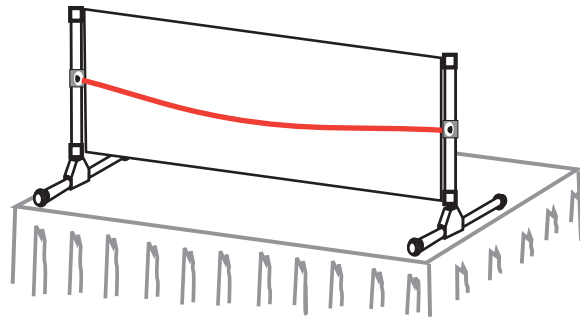
- 1 Lay graphic on floor, graphic side down. Insert banner poles into pockets. Insert one side of back pole in large opening. Bow and place other end in other side.



- 2 With graphic resting on floor, screw feet onto bottom of banner pole hubs.



- 3 Position Display on table top.



Xtra Lite Warranty

Our X, S, T, E, P, M and B lines of frames come with a Lifetime Repair and Replace Warranty. If any of these frames break in the ordinary course of use, we will repair or replace the unit for \$10 per frame, plus return shipping. All other frames and accessories come with a One Year Manufacturer's Limited Warranty against defects.