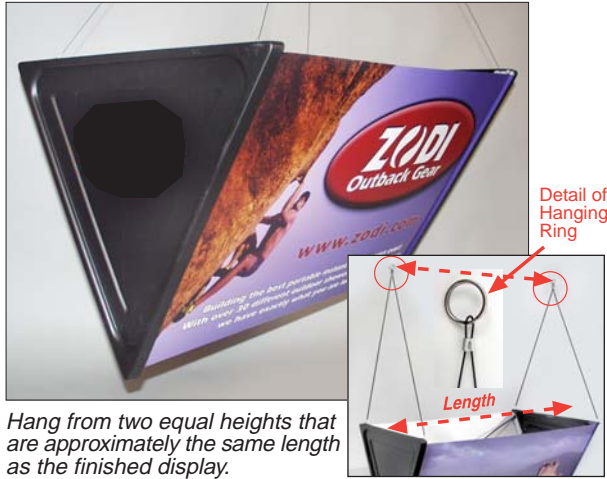


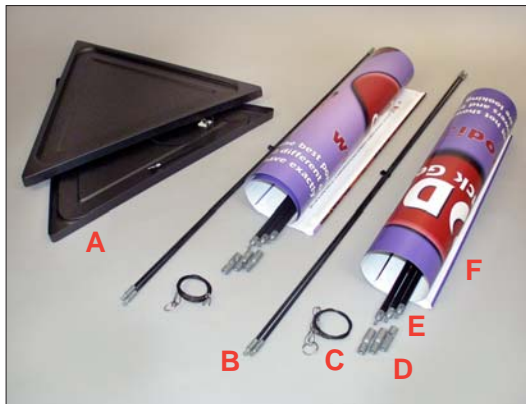
Set-up Instructions



Always wear ANSI approved safety goggles when assembling this product.

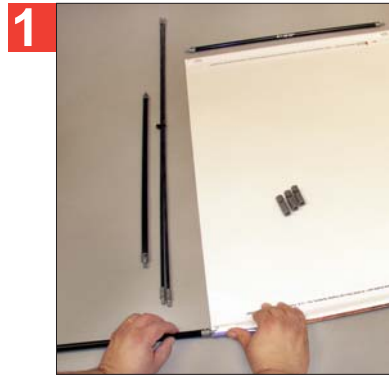
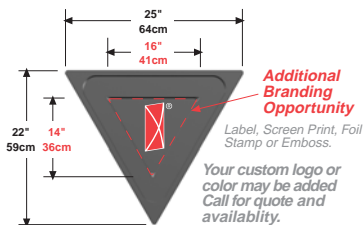


Hang from two equal heights that are approximately the same length as the finished display.



Display Parts List:

- A. 2 Black Triangular End Caps
- B. 2 Sets of X-Legs
- C. 1 Set of Hanging Cables
- D. 6 XtraFlex Connectors
- E. 6 Banner Poles
- F. 2 Graphic Panels

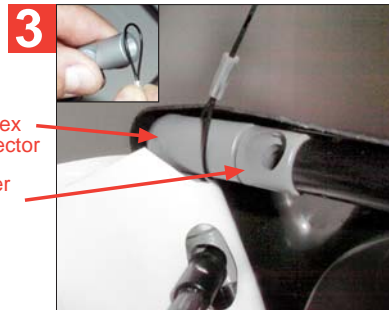


1 Lay Graphic Panels on the floor and insert the Banner Poles into the hemloops of the Graphic Panels.



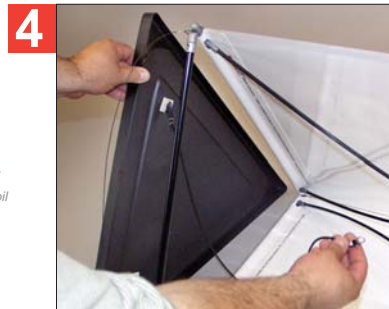
2 Next, lay the X-Legs over the Graphic Panels as pictured. Insert the X-Legs into the holes of the Banner Poles. Connect all corners using the XtraFlex Connectors.

A "Snap" sound will occur with the X-Legs and XtraFlex Connectors. This signifies that all parts are fully locked into position.

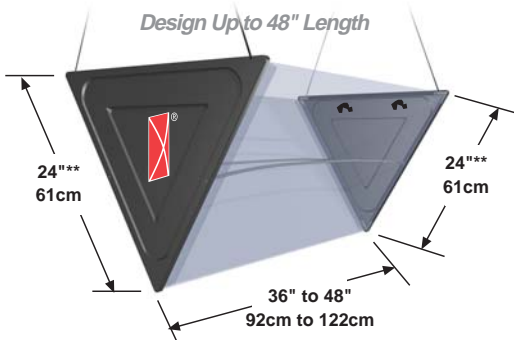


3 Slip the Hanging Cable loops (without the hanging "Ring") onto the top 4 corners of the sign.

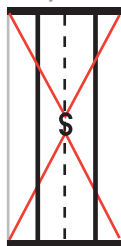
Hook into notch to secure.



4 Add the Triangular End Caps by hooking the two End Cap Supports around the center of one "X-Leg". See more details below.



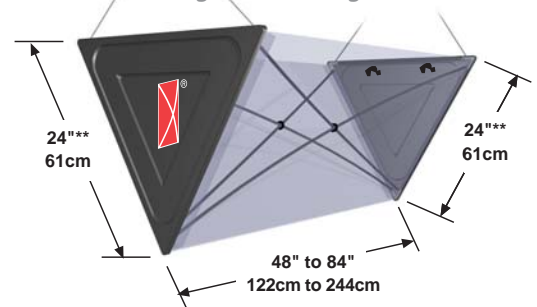
Top View



Top View



Design Over 48" Length



Xtra Lite Warranty

Our X, S, T, E, P, M and B lines of frames come with a Lifetime Repair and Replace Warranty. If any of these frames break in the ordinary course of use, we will repair or replace the unit for \$10 per frame, plus return shipping. All other frames and accessories come with a One Year Manufacturer's Limited Warranty against defects.